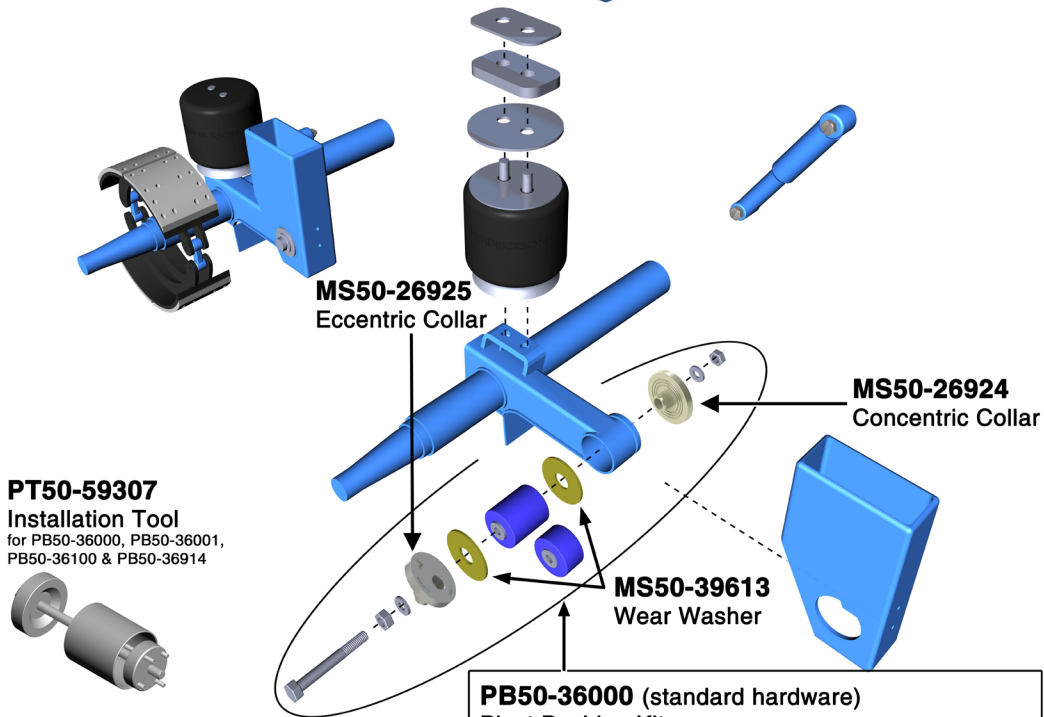
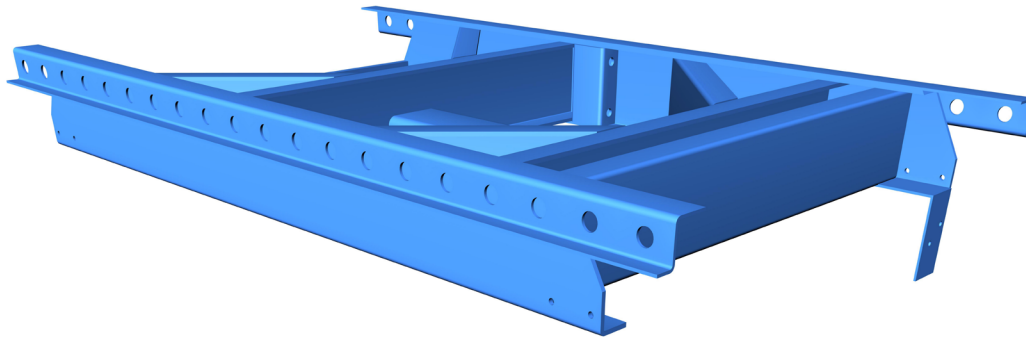


# SUSPENSION SCHEMATICS

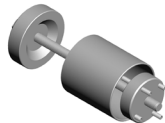
## ATRO PARTS

ENGINEERED | DURABLE | RELIABLE  
MANUFACTURED IN ST. CLAIR, MISSOURI | U.S.A.

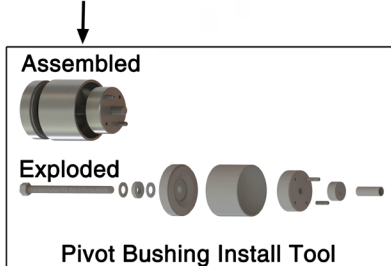
HENDRICKSON INTRAAX®/VANTRAAX®



**PT50-59307**  
Installation Tool  
for PB50-36000, PB50-36001,  
PB50-36100 & PB50-36914



**PT50-59736**  
Installation Tool  
for PB50-36321 & PB50-36322



- PB50-36000** (standard hardware)  
Pivot Bushing Kit
- PB50-36001**  
Pivot Bushing Kit w/**HW50-26679** SHEAR Bolt Kit
- PB50-36100**  
Pivot Bushing Kit (no hardware)
- PB50-36321**  
Pivot Bushing Kit (for narrow beam)
- PB50-36322**  
Pivot Bushing Kit w/**HW50-26705** SHEAR Bolt Kit  
(for narrow beam)
- PB50-36364**  
Pivot Bushing ONLY (for narrow beam)

CELEBRATING 30 YEARS  
**ATRO**  
POLYURETHANE • SOLUTIONS

POLYURETHANE PARTS | SOLUTIONS FOR HEAVY TRUCKS

ATROBUSHING.COM  
©2017 ATRO ENGINEERED SYSTEMS, INC.

6 Bolte Lane  
St. Clair, Missouri 63077 | U.S.A.  
(800) 325.6114 | Fax (866) 920.2005