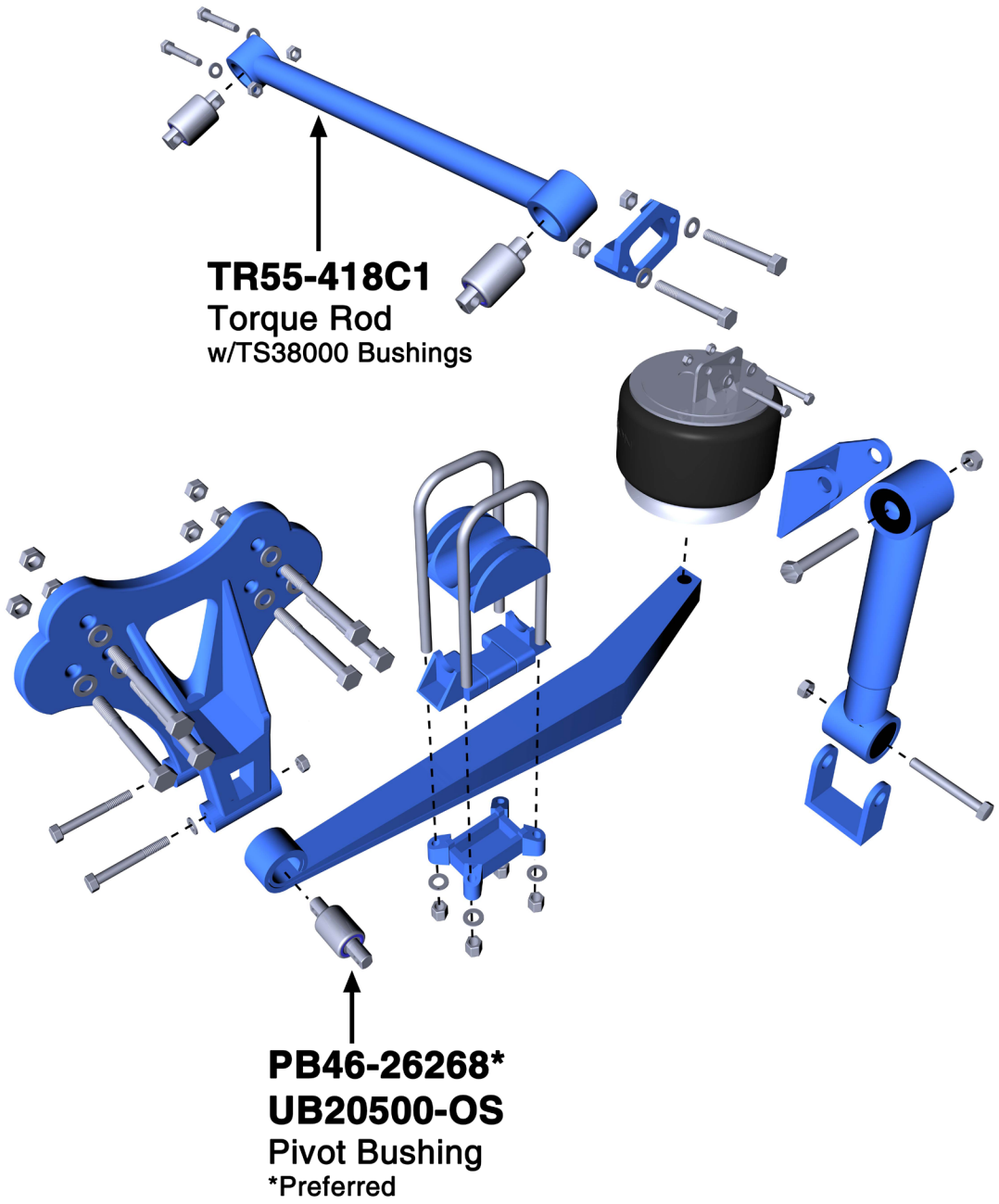


SUSPENSION SCHEMATICS

ATRO PARTS
ENGINEERED | DURABLE | RELIABLE
MANUFACTURED IN ST. CLAIR, MISSOURI | U.S.A.

INTERNATIONAL IROS



POLYURETHANE PARTS | SOLUTIONS FOR HEAVY TRUCKS

ATROBUSHING.COM
©2017 ATRO ENGINEERED SYSTEMS, INC.

6 Bolte Lane
St. Clair, Missouri 63077 | U.S.A.
(800) 325.6114 | Fax (866) 920.2005