

PRODUCT SPOTLIGHT

ATRO PARTS
ENGINEERED | DURABLE | RELIABLE
MANUFACTURED IN ST. CLAIR, MISSOURI | U.S.A.

VOLVO T-RIDE® SUSPENSION

The Volvo T-Ride® suspension is for both on- and off-highway applications. It features a parabolic tapered spring pack that is upside-down and mounted outside the frame rails. There is a cushion that sits on each axle that is bolted to the end of each spring to absorb shock and vibration. Four lower torque rods control braking and acceleration forces. These suspensions are popular on waste haulers.

BENEFITS OF ATRO COMPONENTS

ATRO's T-Ride® components are chemically resistant to the common contaminants that most fleets face.

All T-Ride® torque rods and V-rod bushings have rotating pins for easier installation & elimination of torsional stress.

Load Spring:

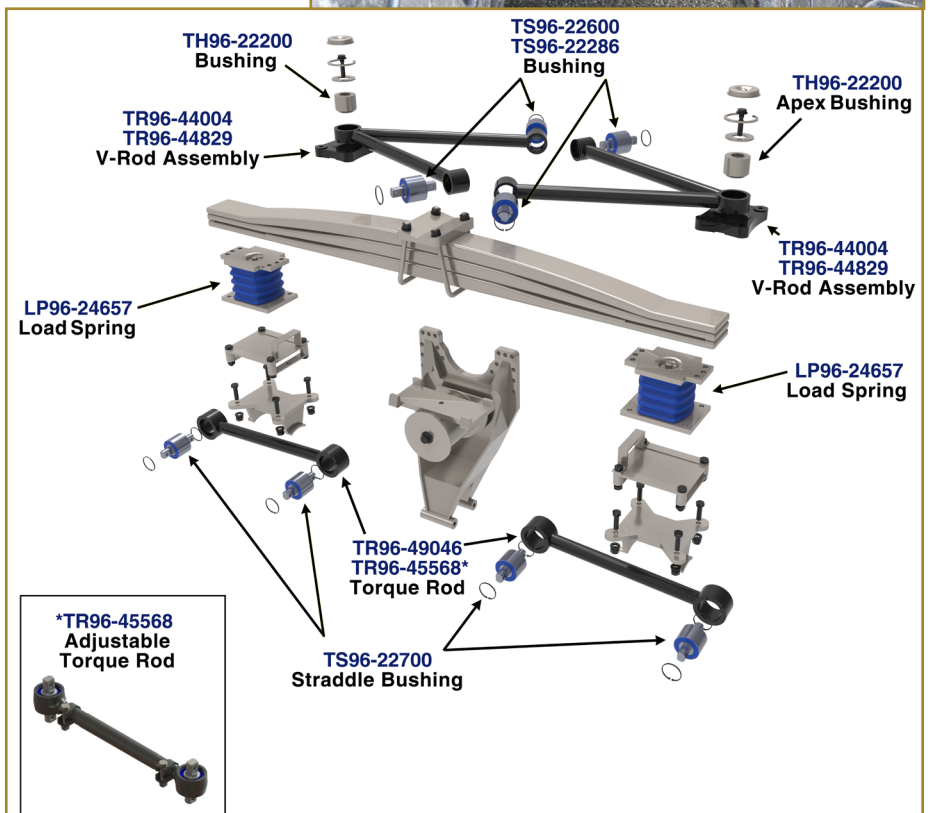
- Proprietary polyurethane formulated to absorb shock & dampen vibration improving ride quality

Lower Torque Rods:

- Complete fixed length & adjustable torque rods, all with rotating pins for easier installation
- OE lower torque rods rebushes with rotating TS96-22700 bushing for easier installation

Upper V-Rods:

- TH96-22200 apex bushing uses a low friction, high abrasion & wear resistant polyurethane for durability & longevity
- TS96-22600 & TS96-22286 end bushings have a split outer sleeve to ease installation & conform to inconsistent eye sizes



VOLVO T-RIDE® PARTS

ATRO PARTS

ENGINEERED | DURABLE | RELIABLE
MANUFACTURED IN ST. CLAIR, MISSOURI | U.S.A.

V-RODS AND TORQUE RODS



TR96-44004
V-Rod Assembly

Replaces:

Volvo 20367004; 20507262;
20741695; 20741703; 22318833

Length: 26 1/2" c-c

Mount Plate Bolt Hole: 19mm

Contains:

(2) TS96-22600 Bushing
(1) TH96-22200 Bushing

Qty Per Vehicle: 2



TR96-44829
V-Rod Assembly

Replaces:

Volvo 3172829; 8073569

Length: 26 3/4" c-c

Mount Plate Bolt Hole: 19mm

Contains:

(2) TS96-22286 Bushing
(1) TH96-22200 Bushing

Qty Per Vehicle: 2



TR96-45568
Torque Rod, Adjustable
(Offset)

Replaces:

Volvo 20509568

Length: 23 5/8" c-c

Adjustable 22 7/8"-24 3/8" c-c

Contains:

(2) TS96-22700 Bushing

Qty Per Vehicle: 2



TR96-49046
Torque Rod
(1 7/8" Offset)

Replaces:

Volvo 20443046

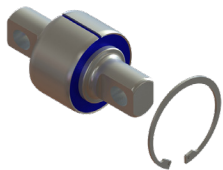
Length: 22 5/8" c-c

Contains:

(2) TS96-22700 Bushing

Qty Per Vehicle: 2

V-RODS AND TORQUE ROD BUSHINGS



TS96-22286
V-Rod End Bushing

Replaces:

Volvo 20547286; 271187;
3092452

OD: 75mm

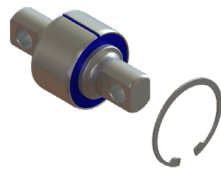
Length: 112-118mm c-c
(slotted)

Bolt Hole: 17mm

Contains:

(1) Bushing
(1) Snap Ring

Qty Per Vehicle: 4



TS96-22600
V-Rod End Bushing

Replaces:

Volvo Fits in TR96-44004

OD: 75mm

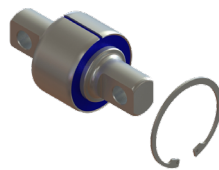
Length: 115mm c-c

Bolt Hole: 19mm

Contains:

(1) Bushing
(1) Snap Ring

Qty Per Vehicle: 4



TS96-22700
Straddle Bushing

Replaces:

Volvo Fits in TR96-45568
& TR96-49046

OD: 75mm

Length: 115mm c-c

Bolt Hole: 17mm

Contains:

(1) Bushing
(1) Snap Ring

Qty Per Vehicle: 4



TH96-22200
V-Rod Apex Bushing

Replaces:

Volvo 20741710

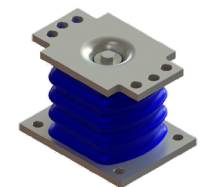
OD: 72mm

Contains:

(1) Apex Bushing
(1) Retainer Washer
(1) Bolt
(1) Snap Ring
(1) Bushing Cap

Qty Per Vehicle: 2

LOAD SPRING



LP96-24657
Load Spring

Replaces:

Volvo 1089501,
1577873, 1609657,
1629553, 20390836,
3090971, 8151413,
V1609657, V1629553

Height: 5 7/8"

Width: 5 7/8"

Length: 8 1/4"

Top Bolt Size: 9/16"

Bottom Bolt Size: 1/2"

Top Bolt Pattern:

2 bolt - 7 1/16"

Base Bolt Pattern:

4 bolt - 6 9/32"x4 9/16"

Qty Per Vehicle: 4

PT96-52200 Install/Removal Tool for use with TS96-22286, TS96-22600 & TS96-22700

PT96-52300 Install/Removal Tool for use with TH96-22200

CELEBRATING 30 YEARS
ATRO
POLYURETHANE • SOLUTIONS

POLYURETHANE PARTS | SOLUTIONS FOR HEAVY TRUCKS

ATROBUSHING.COM
©2017 ATRO ENGINEERED SYSTEMS, INC.

6 Bolte Lane
St. Clair, Missouri 63077 | U.S.A.
(800) 325.6114 | Fax (866) 920.2005